

users guide

IDEAL ESPRIT

Your Ideal users guide

HE24, HE30, HE35

For installation guide see reverse of book

When replacing any part on this appliance use only spare parts that you can be assured conform to the safety and performance specification that we require. Do not use reconditioned or copy parts that have not been clearly authorised by Ideal Boilers.

i Ideal BOILERS
The High Efficiency Pioneers

Esprit HE24, HE30, HE35

(Natural Gas Only)

Destination Countries: GB, IE

HE24 G.C. Appliance No. 47-348-46

HE30 G.C. Appliance No. 47-348-47

HE35 G.C. Appliance No. 47-348-48

Introduction

The **Esprit** is a wall mounted, room sealed, condensing combination boiler, featuring full sequence automatic spark ignition and fan assisted combustion.

Due to the high efficiency of the boiler, condensate is produced from the flue gases and this is drained to a suitable disposal point through the plastic waste pipe at the lower rear of the boiler. A condensate 'plume' will also be visible at the flue terminal.

The **Esprit** is a combination boiler providing both central heating and instantaneous domestic hot water.

Safety

Current Gas Safety (Installation & Use) Regulations or rules in force.

In your own interest, and that of safety, it is the law that this boiler must be installed by a CORGI registered installer, in accordance with the above regulations.

In IE, the installation must be carried out by a Competent Person and installed in accordance with the current edition of I.S. 813 "Domestic Gas Installations", the current Building Regulations and reference should be made to the current ETCI rules for electrical installation.

It is essential that the instructions in this booklet are strictly followed, for safe and economical operation of the boiler.

Electricity Supply

This appliance must be earthed.

Supply: 230 V ~ 50 Hz. The fusing should be 3A.

Connection must be made in a way that allows complete isolation of the electrical supply such as a double-pole switch, having a 3mm (1/8") contact separation in both poles, serving only the boiler and system controls. Alternatively, a 3-pin UNSWITCHED socket may be used. The means of isolation must be accessible to the user after installation.

Important Notes

- This appliance must not be operated without the casing correctly fitted and forming an adequate seal.
- If the boiler is installed in a compartment then the compartment MUST NOT be used for storage purposes.
- If it is known or suspected that a fault exists on the boiler then it MUST NOT BE USED until the fault has been corrected by a CORGI registered installer or in IE a competent person.
- Under NO circumstances should any of the sealed components on this appliance be used incorrectly or tampered with.
- If the option of a loft terminal grille is used then a minimum radial clearance of 300mm must be maintained at all times.
- This appliance is not intended for use by persons (including children) with reduced physical, sensory or mental capabilities, or lack of experience and knowledge, unless they have been given supervision or instruction concerning use of the appliance by a person responsible for their safety.

- Children should be supervised to ensure that they do not play with the appliance.

In cases of repeated or continuous shutdown a CORGI registered installer or in IE a competent person should be called to investigate and rectify the condition causing this and carry out an operational test. Only the manufacturers original parts should be used for replacement.

Minimum Clearances

Clearances of **160mm** above, **200mm** below, **5mm** at the sides and **450mm** at the front of the boiler casing must be allowed for servicing.

The minimum front and bottom clearance allowed when built into a cupboard is 5mm.

To light the boiler Refer to Frame 1

If a programmer is fitted refer to separate instructions for the programmer before continuing.

1. CHECK THAT THE ELECTRICITY SUPPLY TO THE BOILER IS OFF.
2. Set the mains ON/OFF switch (A) to OFF and the DHW temperature control (F) and CH temperature control (E) to maximum.
3. Set the preheat switch (H) to ON and the Winter/Summer switch (J) to winter.
4. Ensure that all DHW taps are turned off.
5. Switch ON the electricity supply to the boiler and check that all external controls, e.g. programmer, room thermostat etc., are ON.
6. Set the mains ON/OFF switch (A) to ON.

The boiler will commence the ignition sequence, first supplying heat to preheat the domestic hot water and then to the central heating, if required.

Note. In normal operation the control unit display (B) will show codes:

- Standby - no demand for heat.
- ◁ CH being supplied.
- ♣ DHW being supplied.
- ⋈ DHW preheat.

During ignition, the light (D) will flash.

During normal running the light (D) will remain illuminated.

Note. If the boiler fails to light after 3 attempts the fault code L-F will be displayed.

Press the reset button (C) for 2 seconds then release. The boiler will repeat the ignition sequence. If the boiler still fails to light consult a CORGI registered installer or in IE a competent person.

Operation

Winter conditions - i.e. CH and DHW required.

Ensure the Winter/Summer switch (J) is set to winter.

The boiler will fire and supply heat to the radiators but will give priority to DHW on demand.

The DHW preheat will operate as described under 'Summer conditions' during periods when there is no call for CH.

All CORGI registered installers carry a CORGI ID card, and have a registration number. Both should be recorded in the **Benchmark** Commissioning Checklist. You can check your installer by calling CORGI direct on 01256 372300.

Ideal Stelrad Group is a member of the Benchmark initiative and fully supports the aims of the programme. Benchmark has been introduced to improve the standards of installation and commissioning of central heating systems in the UK and to encourage the regular servicing of all central heating systems to ensure safety and efficiency.

THE BENCHMARK SERVICE INTERVAL RECORD MUST BE COMPLETED AFTER EACH SERVICE



Summer conditions - i.e. DHW only required.

Ensure the Winter/Summer switch (J) is set to summer.

Set the CH external controls to OFF.

Preheat will operate with the preheat switch (H) set to on.

The boiler will fire periodically for a few seconds to maintain the DHW calorifier in a preheated condition. The average time period between firing is 90 minutes. This may vary considerably due to the surrounding ambient temperature of the boiler. The boiler will fire whenever there is a demand for DHW.

The boiler preheat facility can be immobilised by turning the preheat switch (H) to off. This will stop the boiler operating for short periods. This facility is primarily provided for boiler installations in a sensitive area (i.e. bedroom etc.).

Note. The pump will operate briefly as a self-check once every 24 hours, regardless of system demand.

Control of water temperature

Domestic Hot Water

The DHW temperature is limited by the boiler controls to 65°C maximum at low draw-off rate, adjustable via the DHW temperature control (F).

Due to system variations and seasonal temperature fluctuations DHW flow rates/temperature rise will vary, requiring adjustment at the draw off tap : the lower the flow rate the higher the temperature, and vice versa.

Central Heating

The boiler controls the central heating radiator temperature to a maximum of 82°C, adjustable via the CH temperature control (E).

Approx. flow temperatures for the boiler thermostat settings are:

Knob Setting	Flow Temperature	
	°C	°F
Minimum	30	86
Maximum	82	180

To shut down the boiler

1. For short periods

Set the mains ON/OFF switch (A) to OFF

2. For longer periods

Set the mains ON/OFF switch (A) to OFF, and switch the electricity supply to OFF. For longer periods the entire system should be drained.

To relight the boiler

Repeat the procedure detailed in 'To light the boiler'.

Frost protection

If no system frost protection is provided and frost is likely during a short absence from home, leave the heating controls (if fitted) at a reduced temperature setting. For longer periods, the entire system should be drained.

If the system includes a frost thermostat then, during cold weather, the boiler should be turned OFF at the time switch (if fitted) ONLY. The mains supply should be left switched ON, with the CH temperature control left in the normal running position.

Boiler overheat thermostat

This thermostat will shut down the boiler in the event of overheating.

Should this occur a fault code **L H** will be displayed. Press the reset button (C), 3 horizontal lines will display until the boiler cools and then the boiler will re-light.

If the fault recurs, turn off the boiler and consult a CORGI registered installer or in IE a competent person.

Flame failure

Should this occur a fault code **L-F** will be displayed.

Press the reset button (C) and the boiler will relight.

If the fault recurs, turns off the boiler and consult a CORGI registered installer or in IE a competent person.

Loss of system water pressure

The gauge (G) indicates the central heating system pressure. If the pressure is seen to fall below the original installation pressure of 1-2 bar over a period of time then a water leak may be indicated. In this event conduct the re-pressurising procedure (see Trouble Shooting - Problem 4). If unable to do so or if the pressure continues to drop a CORGI registered installer or in IE a competent person should be consulted.

DO NOT FIRE THE BOILER IF THE PRESSURE HAS REDUCED TO ZERO FROM THE ORIGINAL SETTING.

Condensate Drain

The condensate drain must not be modified or blocked.

Blockage of the condensate drain, caused by debris or freezing, can cause automatic shutdown of the boiler.

If freezing is suspected and the pipe run is accessible an attempt may be made to free the obstruction by pouring hot water over the exposed pipe and clearing any blockage from the end of the pipe. If this fails to remedy the problem the assistance of a CORGI registered installer or in IE a competent person should be sought.

Escape of gas

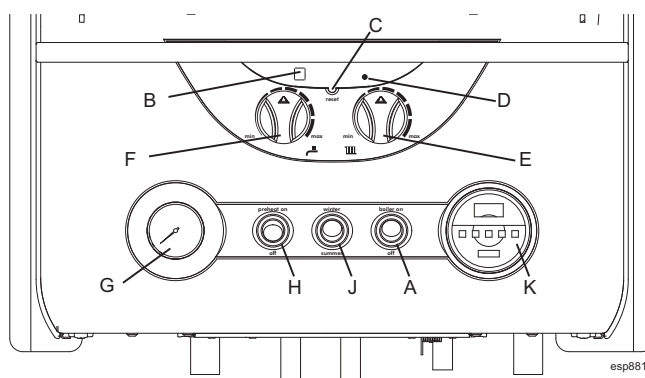
Should a gas leak or fault be suspected contact your local gas supplier without delay.

Do NOT search for gas leaks with a naked flame.

1 BOILER CONTROLS

Legend

- | | |
|---------------------------|----------------------------|
| A. Boiler ON/OFF switch | F. DHW temperature control |
| B. Display | G. Pressure gauge |
| C. Reset button | H. Preheat On/Off switch |
| D. Burner light | J. Winter/Summer switch |
| E. CH temperature control | K. Programmer (Optional) |



CAUTION. To avoid the possibility of injury during the installation, servicing or cleaning of this appliance care should be taken when handling edges of sheet steel components.

Cleaning

For normal cleaning simply dust with a dry cloth.

To remove stubborn marks and stains, wipe with a damp cloth and finish off with a dry cloth.

DO NOT use abrasive cleaning materials.

Maintenance

The appliance should be serviced at least once a year by a CORGI registered installer or in IE a competent person.

POINTS FOR THE BOILER USER

Note. In line with our current warranty policy we would ask that you check through the following guide to identify any problems external to the boiler prior to requesting a service engineers visit. Should the problem be found to be other than with the appliance we reserve the right to levy a charge for the visit, or for any pre-arranged visit where access is not gained by the engineer.

TROUBLESHOOTING - TYPICAL NON PRODUCT FAULTS

Problem		Solution
1	Boiler is not working for central heating or hot water.	<ul style="list-style-type: none">• Check there is power to the boiler – switch (A) in the ON position and 'D' displayed on the controls.• If 'D' not displayed then not a boiler fault – contact your installer/service company.
2	Boiler is not working for central heating or hot water but attempts to fire by going through 3 ignition attempts. Display shows 'L:F' (flashing).	<ul style="list-style-type: none">• Press reset button (C) for 2 seconds to repeat ignition sequence.• Check gas supply (try another appliance – cooker/fire etc.) – If no gas supply then not a boiler fault – contact gas supplier.• Check condensate pipe is not blocked or frozen. If blocked clear blockage – if not possible to check contact your installer.
3	Boiler is not working for central heating or hot water and the display shows 'L:A' (flashing).	<ul style="list-style-type: none">• Press reset button (C) for 2 seconds, the boiler should then re-light. If fault recurs this indicates an overheat condition. The boiler should be turned off and your installer contacted.
4	Boiler is not working for central heating or hot water and the display shows 'L:E' (flashing).	<ul style="list-style-type: none">• Check pressure gauge on boiler shows a minimum of 1 bar. If not re-pressurise via the filling loop to 1 bar (if unsure contact your installer), turn off the tap on the filling loop and turn the on/off switch (A) off and then back on again to reset the boiler. If unable to do so or if the pressure continues to drop after filling then contact your installer.
5	Boiler will not fire for central heating.	<ul style="list-style-type: none">• Check programmer (fitted to the boiler or external) is set to an 'ON' period.• If already set to an 'ON' period then check the programmer by setting to continuous if boiler then fires – Contact your installer to rectify the programmer.• Check room thermostat by turning fully up, If 'O' is not displayed on the user controls then contact your installer.
6	Boiler comes on for domestic hot water without a tap being opened.	<ul style="list-style-type: none">• Check for dripping / dribbling taps or showers – turn fully off.• Check for leaks from the domestic hot water pipework and if found contact your installer.
7	Boiler fires occasionally for approx. 2 minutes - the display shows 'f'.	<ul style="list-style-type: none">• This is a normal function of the boiler (when the pre-heat switch is in the on position) to periodically pre heat the plate heat exchanger to optimise delivery time for domestic hot water to taps or showers.

The nature of all combination boilers is to heat up water directly from the incoming mains water supply directly through the boiler to supply domestic hot water at the stated flow rates, (as shown in the boiler installation instructions), to achieve a 35°C temperature rise. As the ambient temperature of the cold main varies during the summer and winter months it is likely in the colder winter months that the flow rate will need to be reduced at the outlet taps to achieve the same temperatures achieved in the warmer summer months. **This is not a fault with the appliance but is relevant to the varying temperature of the incoming cold mains water supply.**